



## LOG3840 - Deck digital indicator

The intrinsically safe LOG3840 is a local indicator designed for deck installation. The LOG3840 calculates and displays locally on the LCD screen the liquid level in the cargo tank expressed in innage or ullage, the liquid spot or average temperature in °C or °F and the inert gas pressure in mbar measured by the transmitters. It is powered by the TA3840S safety unit and communicates on the same bus than the radar. It operates in

spy mode, reading and displaying data picked up on the communication line between the radar and the TA3840S safety unit.

# LOG3840 - Technical Specifications

## Technical Data

### Level data:

- Measuring range: 0 ~ 42.000(m)
- Reading system: Ullage , Innage, cm or mm

### Temperature data:

- Measuring range: -50°C to +250°C  
or -58°F to + 482°F
- Number of sensor: Max 3 probes per tank

**Supply voltage by safety unit:** 12Vdc

**Available channel connection:** max. 255 ch

**Specification of communication:** RS485

**Baud rate:** 9600 BPS

**Intrinsic safety:** II 1 G D Ex ia IIC T6 Ga  
LCIE 06 ATEX 6024X  
IECEX LCI 11.0037X

**Protection class:** IP 66 / IP 67

**Operating temperature:** -35 °C to +70 °

**Weight:** 4.5kg

## Special Features

- Mechanical part: 316L stainless steel
- Window: glass resistant to salty marine atmosphere  
Option: Backlight (1 pair cable additional)
- Units: Celsius °C or Fahrenheit °F

## Technical Documentation

**Installation manual:** MI5016

**Technical manual:** MT5016

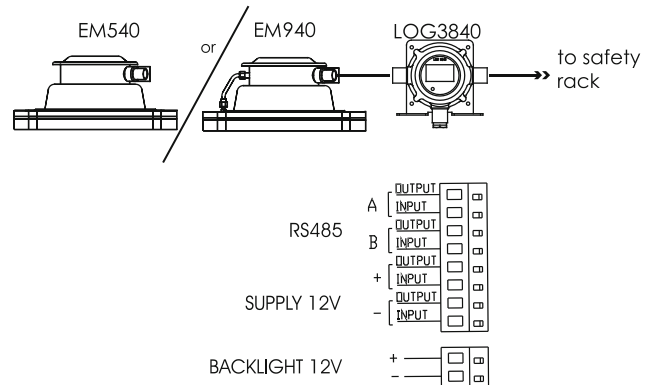
**Maintenance manual:** MM5016

## Honeywell Marine SAS

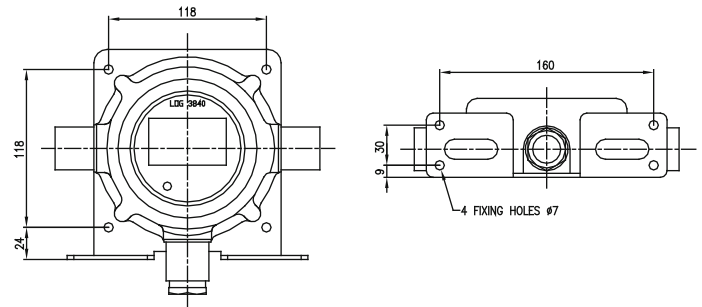
9, rue Isaac Newton  
ZA Port Sec Nord, Esprit 1  
18000 Bourges – France  
Phone :+ 33 (0) 248 237 901  
Fax : + 33 (0) 248 237 903  
E-Mail: contact.marine@honeywell.com  
www.honeywellmarine.com

HM-11-19-ENG  
February 2014  
© 2014 Honeywell International Inc.

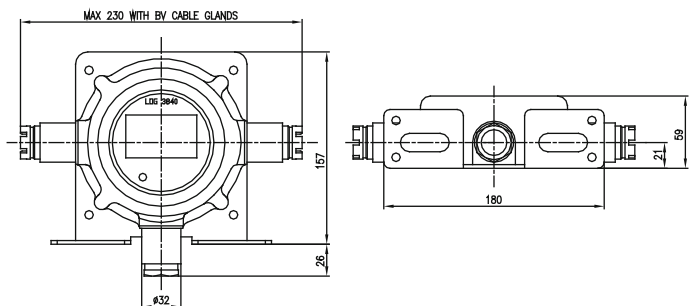
## Electrical Connection



## Dimensions & Fixation



## Mechanical Connection



**Honeywell**